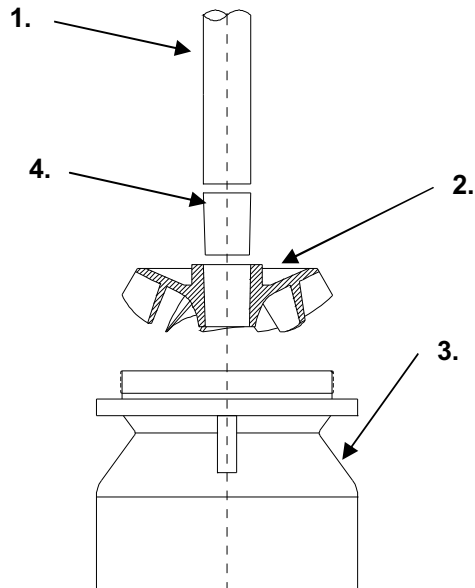


Please refer to the Operating Requirements™-Materials List™and Instructions –Assembly Description™Sections for more details.



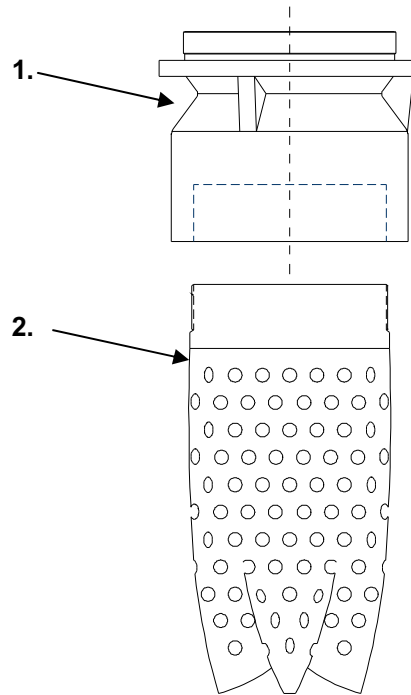
Middle Bowl Assembly

1. Stainless Steel Shaft ASTM 420
2. Phosphatic Bronze Impeller (SEMIOPEN –or SEMICLOSED)
3. Middle Bowl Cast Iron GG25 –GG35
4. Mild Steel Lock Collet

Bottom Bowl Assembly – Suction Adapter

1. Bottom Bowl Cast Iron GG25GG35
2. Mild Steel Suction Filter (optional Stainless Steel)

Note: ImpellerLock Collet –Shaft not shown.



Top Bowl Assembly – Column Adapter

1. Top Bowl Cast Iron GG25GG35
2. Column Pipe ST37 Steel
3. Column Coupling ST42 –ST40 Steel
4. Phosphatic Bearing Retainer

